



Thermal Inkjet

# Videojet® 8520

The Videojet 8520 inkjet printer offers an impressive combination of functionality and simplicity in one, compact design.

Designed to address the needs of industrial users, the Videojet 8520 thermal inkjet (TIJ) printer is the ideal coding and marking solution for a range of primary and secondary marking applications. From basic alphanumeric codes to complex bar codes and graphics, the 8520 has the capability to print a wide range of codes on fast production lines. The 8520 TIJ printer helps customers improve their productivity, quality and efficiency targets with features that include: automatic cartridge setup, temperature control and portable ink level tracking.



## Uptime Advantage

- Extensive communications protocol ideal for remote control and secondary applications
- Solid-state electronics with no moving parts
- No wear items or replacement parts outside of inkjet cartridge replacement
- Clean, no-mess operation

## Built in Productivity

- High resolution print (up to 600 dpi) suitable for high quality small and large font codes
- Wide range of primary and secondary packaging bar codes
- Can drive up to four printheads independently or together
- Ink level tracking that moves with the ink cartridge\*

## Code Assurance

- Template creation software with rules-based message fields
- Color touch screen with WYSIWYG image display to reduce set-up errors
- Selectable ink type setting ensures the right ink is being used\*
- Optional USB scanner for message selection

## Simple Usability

- Intuitive, graphical user interface with easy to learn icon-based controls
- Auto cartridge recognition\*
- Four printhead designs to aid packaging line integration

\* Feature available when using authentic Videojet TIJ ink cartridges

# Videojet® 8520

## Thermal Inkjet

### Line Speed / Resolution Capability

Maximum resolution of 600x600 dpi  
5-360fpm (1.5-109mpm) at 600x240 dpi  
*Higher line speeds are possible at lower horizontal print resolutions*

### Printing Capabilities

Full downloadable font support using TrueType® fonts  
Fixed, variable and merged text fields  
Flexible date/time and shift code formats  
Auto best before date calculations  
Auto incrementing/decrementing text and counters  
Multiple graphic formats supported (up to maximum print area)

### Bar Codes

EAN8, EAN13, UPC-A/E, CODE 39, CODE128, EAN128, GS1 DataBar (including 2D composite), DataMatrix, QR, PDF417

### Print Cartridge

Maximum of four 12.7mm tall, 600 dpi print cartridges (stacked/stitched or deployed independently)  
Features available with authentic Videojet TIJ ink cartridges: auto cartridge recognition and parameter set up, ink batch/lot number tracking; portable ink level tracking and enhanced print speeds

### Display

8.4-inch TFT SVGA (800x800) full-color LCD and touch screen  
WYSIWYG print preview  
Full on-board diagnostics  
Three levels of password protection or advanced configurable password protection  
Extensive language support (22 in total)

### Data Interface

RS232, Ethernet, USB memory stick support, Text Communications Protocols

### Controller Dimensions

9.6" (244mm) long  
3.6" (92mm) wide  
6.7" (170mm) high  
*Dimensions exclude printhead, accessory cables and power supply connections*

### Printhead Dimensions

Four printhead options are available with different dimensions to meet line integration requirements. The following dimensions are for the Standard Blue printhead:  
4.5" (115 mm) long  
4.3" (110 mm) high  
2.4" (60 mm) wide (at rub plate)  
*Dimensions exclude cartridge and cable connections*  
*Red, Green, and Gold printhead dimensions vary in length and height from Blue printhead*

### Temperature Range

41°F to 113°F (5°C to 45°C)

### Electrical Requirements

100-240 VAC 50/60Hz

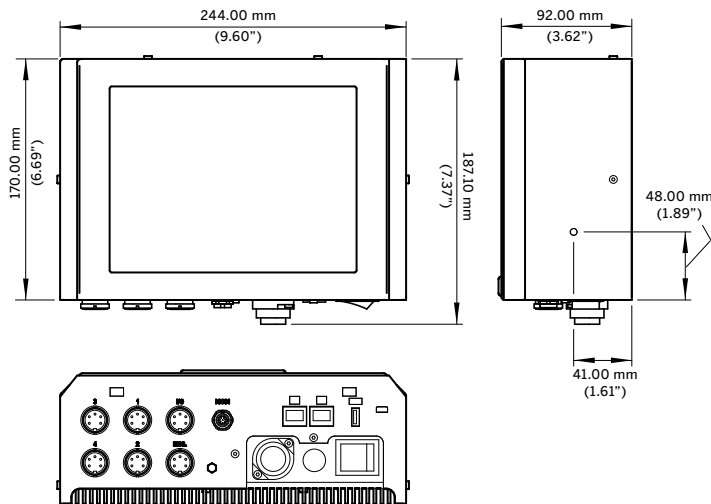
### Approximate Weight (Controller)

7.0lbs (3.2kgs)

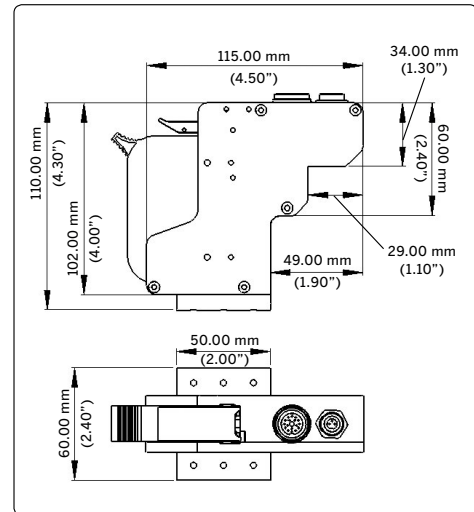
CERTIFIED  
ISO 9001  
DOCUMENTED QUALITY



Controller



Standard Blue Printhead



Call **800-843-3610**

Email **info@videojet.com**

or visit **www.videojet.com**

Videojet Technologies Inc.

1500 Mittel Blvd. Wood Dale IL 60191 / USA

**Mark-Line Systems OÜ**

**Läike tee 7, Peetri, Harjumaa**

**Tel: 6235575 info@markline.ee**

©2018 Videojet Technologies Inc. — All rights reserved.

Videojet Technologies Inc.'s policy is one of continued product improvement. We reserve the right to alter design and/or specifications without notice. TrueType is a registered trademark of Apple Computer, Inc.

Part No. SL000653  
ss-8520-us-0218  
Printed in U.S.A.

